

NOLTING®

LONGARM QUILTING MACHINES



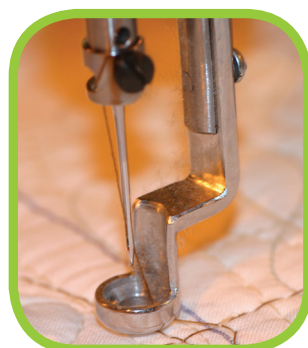
The Quilting Bee

The Quilting Bee Allows Free Motion Quilting With A Large Throat Space Advantage.

- Over 15" throat depth, with 8" of inside height.
- Perpendicularly mounted sewing head allows for free continuous sewing.
- No feed dogs for multi-directional motion quilting.
- 30" x 48" round corner table providing six times the sewing surface.
- Fluorescent light above the needle.
- Round hopping foot for using rulers and templates.
- Light weight machine body with walls constructed of strong solid aluminum.
- Complete system includes table and accessories.
- Custom built individually by skilled craftsmen at the Nolting manufacturing facility in Hiawatha, Iowa.



Vari-Drive Speed Controller



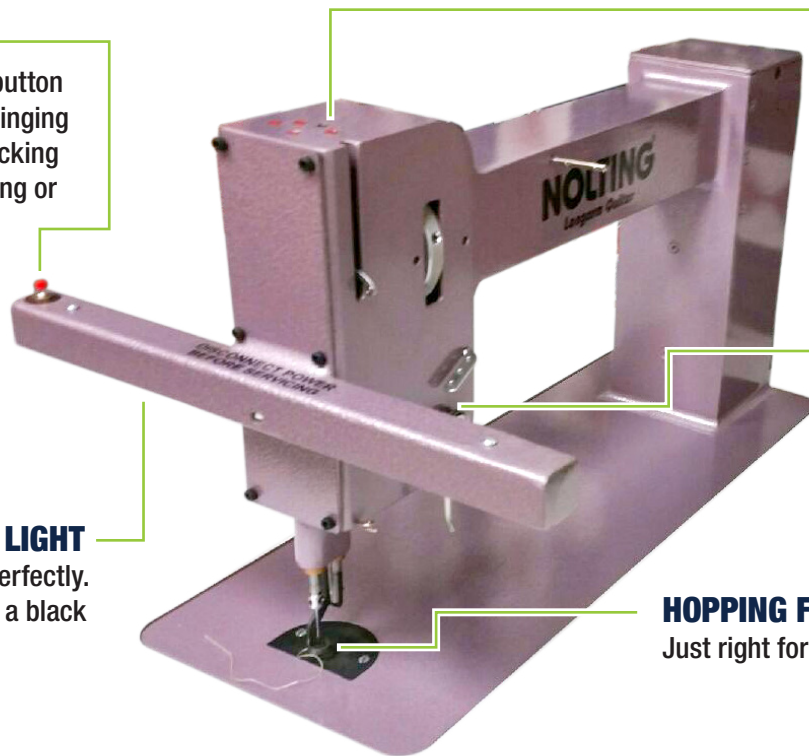
Round Foot For Ruler Guides

NEEDLE BUTTON

The Needle up/down button is great for basting, bringing up bobbin thread or locking stitches at the beginning or end of your design.

12" FLORESCENT LIGHT

Light the work area perfectly. Switch out and insert a black light when needed.



LOW MAINTENANCE

Only 1 drop of oil every 8 hours of continuous use. No oil reservoirs or complex places to access.

THREAD PATH

Obvious thread path and tension device help you achieve your desired stitch quality.

HOPPING FOOT ASSEMBLY

Just right for rulers and guides.

THE QUILTING BEE SYSTEM

All Quilting Bees systems include machine, needles, bobbins, bobbin winder, thread stand, round corner table, product manuals, and 5-year warranty. Additionally, Nolting offers exceptional services such as delivery, package installations, and superior professional training. Ask your Nolting representative today.



Bobbin Winder



"M" Bobbin



30" x 48" Round Corner Table

NOLTING AREA DEALER:

NOLTING®

1105 Hawkeye Dr. • Hiawatha, Iowa 52233

Phone: (319) 378-0999

Email: nolting@nolting.com

www.nolting.com

